

EXA PLUS
Product Catalog



Implant Bodies & Abutments

◆ Implant Bodies

Bone Level Implant (including a cover screw)	2
Tissue Level Implant	2

◆ Abutments for Treatment of Soft Tissue

Healing Abutment	3
Healing Cap	3

◆ Cement-Retained Abutments

Direct Abutment (including an abutment screw)	4
Direct Head (including an abutment screw)	4
Angled Abutment (including an abutment screw)	4
Angled Head (including an abutment screw)	5
Custom Abutment (including an abutment screw)	5

◆ Screw-Retained Abutments

Screw-Retained Abutment (including an abutment screw)	6
Screw-Retained Head (including an abutment screw)	6
Screw-Retained Cap	6

◆ CAD/CAM Abutment

Titanium Base Abutment (including an abutment screw)	7
---	---

◆ Spare Parts

Cover Screw	7
Abutment Screw	7

Impression & Technical Parts

◆ Impression Parts

Implant Impression	8
Direct Impression	8
Screw-Retained Impression	8
Scan Body (including a screw)	8

◆ Analogs

Implant Analog	9
Direct Analog	9
Screw-Retained Analog	9

◆ Technical Parts

Gold Cylinder	10
Castable Cylinder	10
Direct Coping	10
Wax-Up Sleeve (including a labo screw)	10
Set Screw	10

Surgical Instruments

◆ Drills

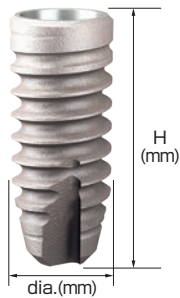
Marking Drill	12
Twist Drill	12
Guide Drill	13
Extension	13
Bone Tap	13

◆ Other Instruments

Guide Pin	14
Depth Gauge	14
Implant Driver	14
Hand Grip	14
Torque Wrench (including a torque wrench adapter)	15
Torque Wrench Adapter for Implant Driver Handpiece Type	15
Hand Driver	15
Organizer	15

Implant Bodies

Bone Level Implant (including a cover screw)



- The upper part diameter of dia.3.3 mm implant is 3.6 mm (tapered).

Product No.	Spec
FTS2412	dia.3.3—H10
FTS2612	dia.3.3—H12
FTS2812	dia.3.3—H14
FTS4232	dia.4.0—H8
FTS4432	dia.4.0—H10
FTS4632	dia.4.0—H12
FTS4832	dia.4.0—H14
FTS6252	dia.5.0—H8
FTS6452	dia.5.0—H10
FTS6652	dia.5.0—H12
FTS6852	dia.5.0—H14

Tissue Level Implant



- Outermost Diameter R (Regular) : 4.5 mm
W (Wide) : 5.5 mm
- Smooth Surface Area L (Low) : 1.5 mm
H (High) : 3.0 mm

Product No.	Spec
FOS2452	dia.3.3—H10/RL
FOS2652	dia.3.3—H12/RL
FOS2852	dia.3.3—H14/RL
FOS2462	dia.3.3—H10/RH
FOS2662	dia.3.3—H12/RH
FOS2862	dia.3.3—H14/RH
FOS4252	dia.4.0—H8/RL
FOS4452	dia.4.0—H10/RL
FOS4652	dia.4.0—H12/RL
FOS4852	dia.4.0—H14/RL
FOS4262	dia.4.0—H8/RH
FOS4462	dia.4.0—H10/RH
FOS4662	dia.4.0—H12/RH
FOS4862	dia.4.0—H14/RH
FOS6292	dia.5.0—H8/WL
FOS6492	dia.5.0—H10/WL
FOS6692	dia.5.0—H12/WL
FOS6892	dia.5.0—H14/WL
FOS6202	dia.5.0—H8/WH
FOS6402	dia.5.0—H10/WH
FOS6602	dia.5.0—H12/WH
FOS6802	dia.5.0—H14/WH

■ Abutments for Treatment of Soft Tissue

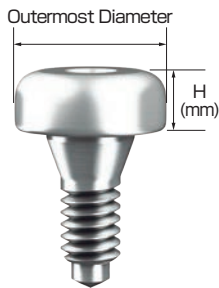
Healing Abutment



- For Bone Level Implants
- Outermost Diameter
 - N (Narrow) : 3.5 mm
 - R (Regular) : 4.5 mm
 - W (Wide) : 5.5 mm

Product No.	Spec
FT11312	N—H3
FT11512	N—H5
FT11712	N—H7
FT13312	R—H3
FT13512	R—H5
FT13712	R—H7
FT15312	W—H3
FT15512	W—H5
FT15712	W—H7

Healing Cap

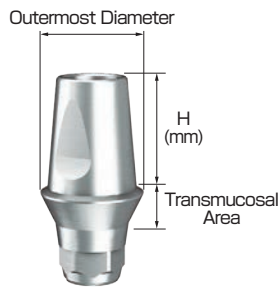


- For Tissue Level Implants
- Outermost Diameter
 - R (Regular) : 4.5 mm
 - W (Wide) : 5.5 mm

Product No.	Spec
F013012	R—H1
F013212	R—H2
F013412	R—H4
F015012	W—H1
F015212	W—H2
F015412	W—H4

■ Cement-Retained Abutments

Direct Abutment (including an abutment screw)



- For Bone Level Implants
- Outermost Diameter R (Regular) : 4.5 mm
W (Wide) : 5.5 mm
- Transmucosal Area L (Low) : 1.5 mm
H (High) : 3.0 mm

Product No.	Spec
FT43511	RL—H5
FT43711	RL—H7
FT43531	RH—H5
FT43731	RH—H7
FT45511	WL—H5
FT45711	WL—H7
FT45531	WH—H5
FT45731	WH—H7

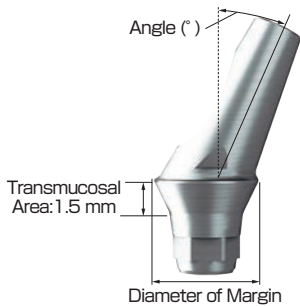
Direct Head (including an abutment screw)



- For Tissue Level Implants
- Outermost Diameter R (Regular) : 4.5 mm
W (Wide) : 5.5 mm

Product No.	Spec
F043501	R—H5
F043701	R—H7
F045501	W—H5
F045701	W—H7

Angled Abutment (including an abutment screw)



- For Bone Level Implants
- Diameter of Margin R (Regular) : 4.5 mm
W (Wide) : 5.5 mm

Product No.	Spec
FT83921	R—15°
FT83931	R—25°
FT85921	W—15°
FT85931	W—25°

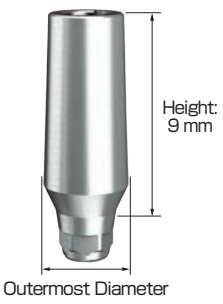
Angled Head (including an abutment screw)



Product No.	Angle
F083911	15°
F083951	25°

- For Tissue Level Implants
- Common Part for R (Regular) : 4.5 mm
W (Wide) : 5.5 mm

Custom Abutment (including an abutment screw)



Product No.	Spec
FT61911	N
FT63911	R
FT65911	XW

- For Bone Level Implants
- Outermost Diameter N (Narrow) : 3.5 mm
R (Regular) : 4.5 mm
XW (Extra-Wide) : 6.5 mm

■ Screw-Retained Abutments

Screw-Retained Abutment (including an abutment screw)



Product No.	Spec
FT23241	RL
FT23271	RH
FT25241	WL
FT25271	WH

- For Bone Level Implants
- Outermost Diameter R (Regular) : 4.5 mm
W (Wide) : 5.5 mm
- Transmucosal Area L (Low) : 1.5 mm
H (High) : 3.0 mm

Screw-Retained Head (including an abutment screw)



Product No.
F020211

- For Tissue Level Implants
- Common Part for R (Regular) : 4.5 mm
W (Wide) : 5.5 mm

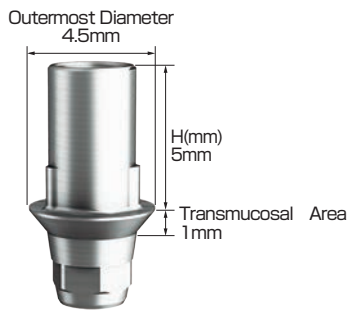
Screw-Retained Cap



Product No.	Spec
FT73501	For Regular Abutments for Bone Level Implants
FT75501	For Wide Abutments for Bone Level Implants
F073501	For Regular Tissue Level Implants
F075501	For Wide Tissue Level Implants

CAD/CAM Abutment

Titanium Base Abutment (including an abutment screw)



Product No.

FT63521

- For a CAD/CAM milled upper structure.
- Using a ceramic upper structure enables to produce the natural color of teeth.
- Good for cement-retained and screw-retained prosthetics.

Spare Parts

Cover Screw



Product No.

FC50011

- Common Part for Bone Level and Tissue Level Implants.

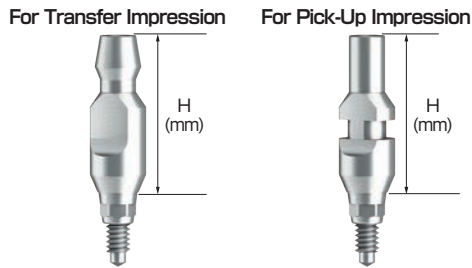
Abutment Screw



Product No.	Spec
FC31011	For cement-retained abutments and heads
FC33271	For screw-retained abutments (RH and WH)
FC33251	For screw-retained abutments (RL and WL)
FC32231	For screw-retained heads

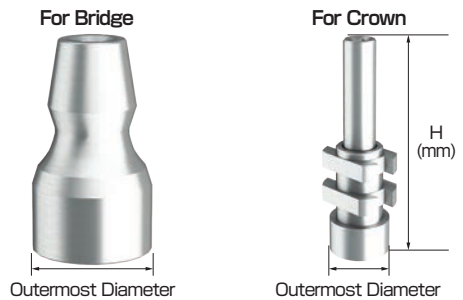
■ Impression Parts

Implant Impression



Product No.	Spec
ST24511	H=13 For Transfer Impression
ST24531	H=17 For Transfer Impression
ST34511	H=13 For Pick-Up Impression
ST34531	H=17 For Pick-Up Impression

Screw-Retained Impression



- Impression Procedure B : Transfer (for Bridge)
C : Pick-Up (for Crown)
- Outermost Diameter R (Regular) : 4.5 mm
W (Wide) : 5.5 mm
- Height L (Low) : 11 mm
H (High) : 13 mm

Product No.	Spec
ST64531	For Bone Level Implants/BR
ST65531	For Bone Level Implants/BW
ST64581	For Bone Level Implants/CRL
ST64501	For Bone Level Implants/CRH
ST65581	For Bone Level Implants/CWL
ST65501	For Bone Level Implants/CWH
ST74531	For Tissue Level Implants/BR
ST75531	For Tissue Level Implants/BW
ST74581	For Tissue Level Implants/CRL
ST74501	For Tissue Level Implants/CRH
ST75581	For Tissue Level Implants/CWL
ST75501	For Tissue Level Implants/CWH

Direct Impression



- Common part for direct abutments and direct heads.
- Outermost Diameter R (Regular) : 4.5 mm
W (Wide) : 5.5 mm

Product No.	Spec
ST94511	For Regular
ST95511	For Wide

Scan Body (including a screw)

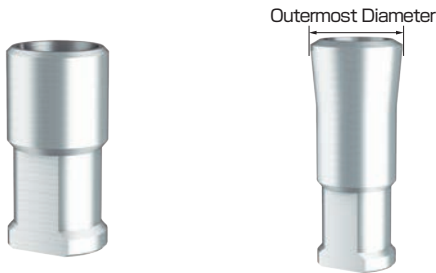


- The abutment screw is required for fixation of the scan body.

Product No.
ST03810

■ Analogs

Implant Analog



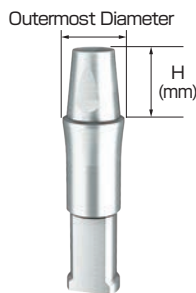
For Bone Level Implants

For Tissue Level Implants

- Outermost Diameter R (Regular) : 4.5 mm
W (Wide) : 5.5 mm

Product No.	Spec
TA24012	For Bone Level Implants
TA14522	For Tissue Level Implants/R
TA15522	For Tissue Level Implants/W

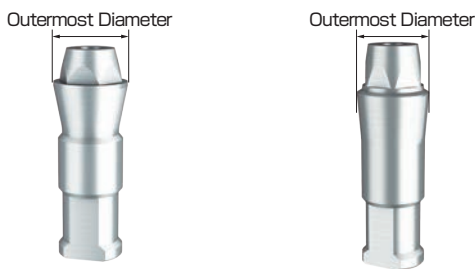
Direct Analog



- Outermost Diameter R (Regular) : 4.5 mm
W (Wide) : 5.5 mm

Product No.	Spec
TA63531	R—H5
TA63731	R—H7
TA65531	W—H5
TA65731	W—H7

Screw-Retained Analog



For Bone Level Implants

For Tissue Level Implants

- Outermost Diameter R (Regular) : 4.5 mm
W (Wide) : 5.5 mm

Product No.	Spec
TA54531	For Bone Level Implants/R
TA55531	For Bone Level Implants/W
TA44531	For Tissue Level Implants/R
TA45531	For Tissue Level Implants/W

Technical Parts

Gold Cylinder



- B : For Bridge C : For Crown
- Outermost Diameter R (Regular) : 4.5 mm
W (Wide) : 5.5 mm

Product No.	Spec
FM23211	For Bone Level Implants/BR
FM25211	For Bone Level Implants/BW
FM13211	For Bone Level Implants/CR
FM15211	For Bone Level Implants/CW
FM23111	For Tissue Level Implants/BR
FM25111	For Tissue Level Implants/BW
FM13111	For Tissue Level Implants/CR
FM15111	For Tissue Level Implants/CW

Castable Cylinder



- Set of 3
- B : For Bridge
- Outermost Diameter R (Regular) : 4.5 mm
W (Wide) : 5.5 mm

Product No.	Spec
TC24511	For Bone Level Implants/BR
TC25511	For Bone Level Implants/BW
TC44511	For Tissue Level Implants/BR
TC45511	For Tissue Level Implants/BW

Direct Coping



- Set of 3
- B : For Bridge C : For Crown
- Outermost Diameter R (Regular) : 4.5 mm
W (Wide) : 5.5 mm

Product No.	Spec
TC14511	BR
TC15511	BW
TC64511	CR
TC65511	CW

Wax-Up Sleeve (including a labo screw)



- To create a wax-up design on the model.
- Connection H (Hexagon)
Material T (Titanium)

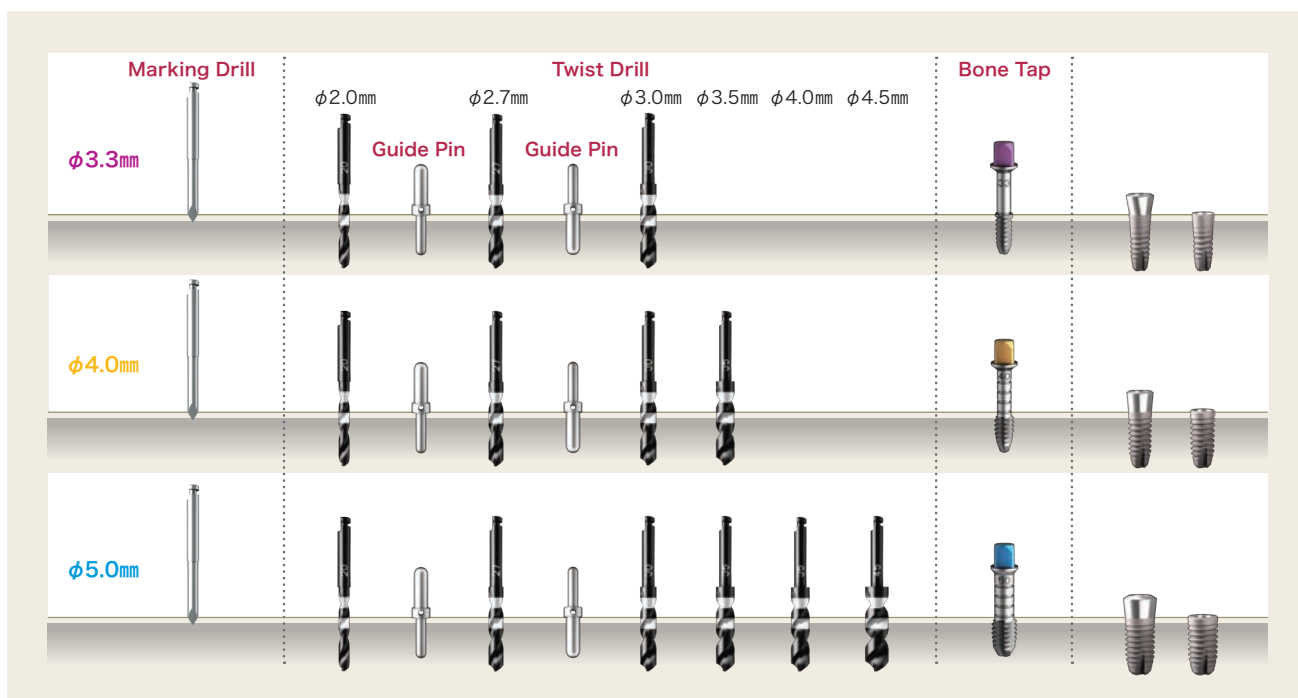
Product No.	Spec
TA64593	HT

Set Screw



Product No.
FC40011

Implant Procedure by Implant Diameter



Drills

Marking Drill



Product No.

SD22012

- For guided surgery.
- Drill a pilot hole of 2mm deep from the crest of bone.

Twist Drill



- Length S (Short) : 30 mm
- Length L (Long) : 37 mm

Product No.	Diameter	
SD42021	2.0 mm	S
SD42721	2.7 mm	S
SD43021	3.0 mm	S
SD43521	3.5 mm	S
SD44021	4.0 mm	S
SD44521	4.5 mm	S
SD42041	2.0 mm	L
SD42741	2.7 mm	L
SD43041	3.0 mm	L
SD43541	3.5 mm	L
SD44041	4.0 mm	L
SD44541	4.5 mm	L

Guide Drill



- Bone drill with a stopper for guided surgery.
- Drill a dia. 2mm hole with the depth of the implant.

Product No.	Length
SD42008	8mm
SD42010	10mm
SD42012	12mm
SD42014	14mm

Extension



Product No.
SD04572

Bone Tap



- For hard bone tapping.

Product No.	Diameter
SD8335 1	3.3 mm
SD8405 1	4.0 mm
SD8505 1	5.0 mm

Other Instruments

Guide Pin



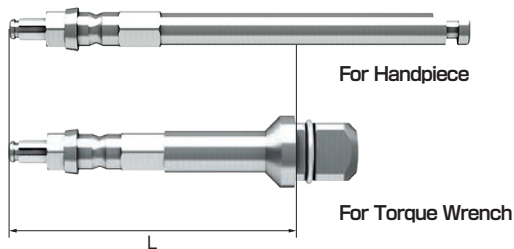
Product No.	Spec
SB12001	Straight

Depth Gauge



Product No.
SB32511

Implant Driver



Product No.	Spec
SB51111	Handpiece S
SB51131	Handpiece L
SB51311	Torque Wrench S
SB51331	Torque Wrench L

● L(projection length from instrument): S(Short) : 13 mm
L(Long) : 20 mm

Hand Grip



Product No.
SF39512

Torque Wrench (including a torque wrench adapter)



Product No.
SB47011

- Torque wrench adapter:
Use when connecting the implant driver for torque wrench, the hand drivers or the bone taps with the torque wrench.

Torque Wrench Adapter for Implant Driver Handpiece Type



Product No.
SB63111

- Use when connecting the implant driver for handpiece with the torque wrench.

Hand Driver



Product No.	Length
SF11312	5 mm
SF11322	10 mm
SF11332	15 mm

Organizer



Product No.
SA10931

<Manufacturer>

Nippon Piston Ring Co., Ltd.

1111 Nogi, Nogi-Machi
Shimotsuga-Gun 329-0114 Tochigi JAPAN

E-mail : implant@npr.co.jp

WEB: <https://www.iatimp.com/english/>

